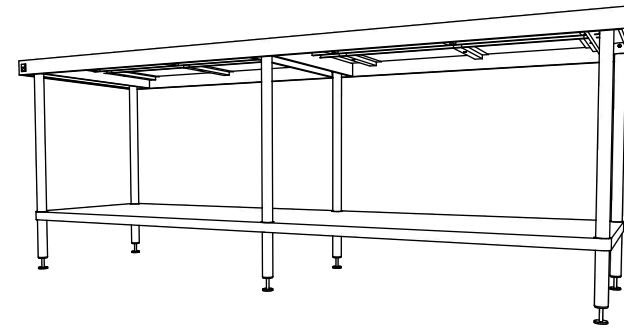
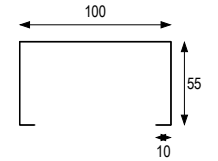


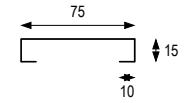
BOTTOM-PLAN VIEW (TOP ONLY)



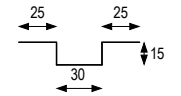
ISOMETRIC - VIEW  
do not scale



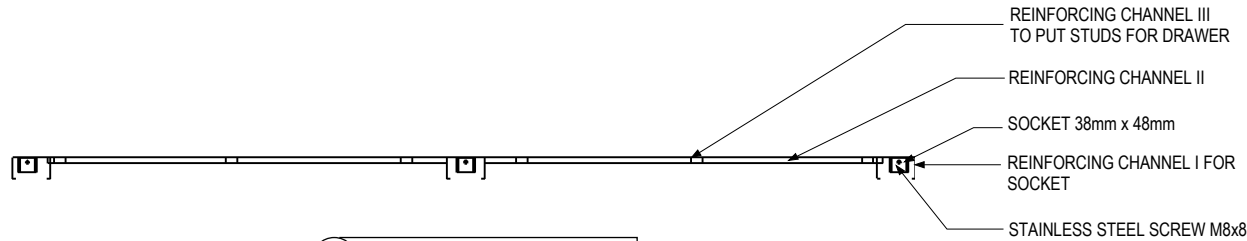
REINFORCING CHANNEL I  
DETAILS



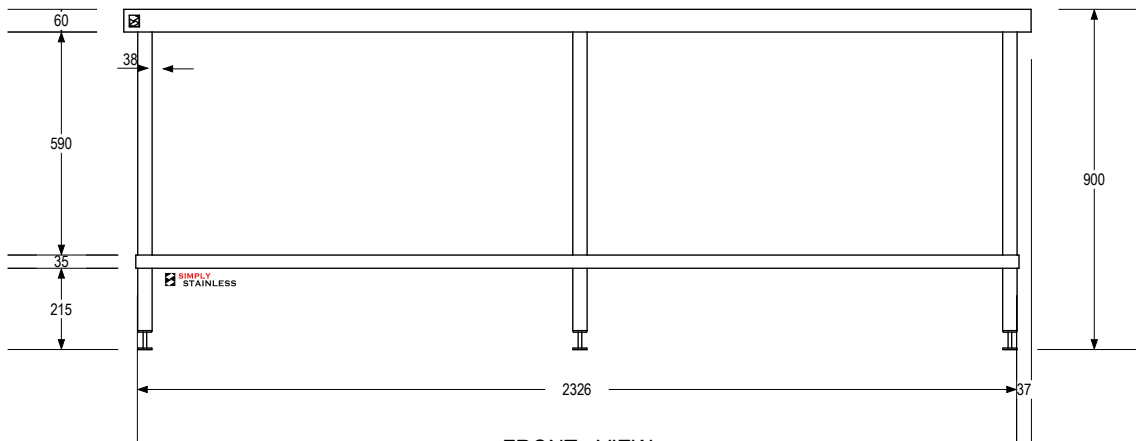
REINFORCING CHANNEL II  
DETAILS



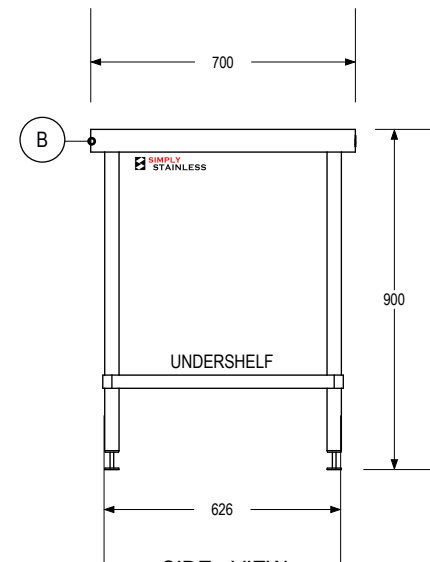
REINFORCING CHANNEL III  
DETAILS



**B** CONSTRUCTION DETAILS



FRONT - VIEW



SIDE - VIEW

**SIMPLY STAINLESS**  
www.simplystainless.com  
Modular Sinks Tables and Shelving

**COPYRIGHT © 2016**

This drawing is the property of CI Group Pty Ltd. Trading as SIMPLY STAINLESS and It may not be copied, reproduced or modified in whole or in part without prior written permission of CI Group Pty Ltd. SIMPLY STAINLESS reserves the right to change specification and design without notice.

**EU 01-7-2400 WORK BENCH**

scale 1:20

- FULL SS CONSTRUCTION NOTES :**
1. TOP MADE FROM 1.2mm STAINLESS STEEL.
  2. CHANNEL REINFORCING I , II & III MADE FROM 1.2mm STAINLESS STEEL.
  3. FRAME MADE FROM Ø38mm STAINLESS STEEL TUBE.
  4. UNDERSHELF MADE FROM 1.2mm STAINLESS STEEL.
  5. FEET ARE ADJUSTABLE STAINLESS STEEL DISC SHAPED FEET.